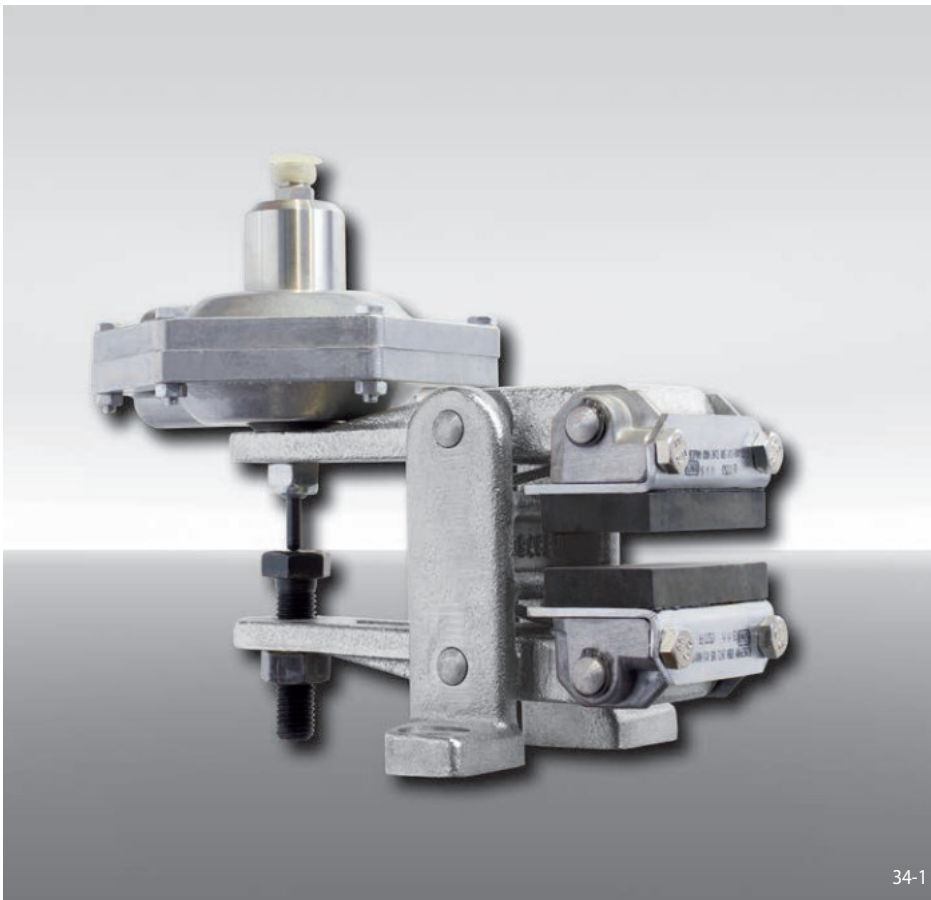


Brake Caliper DV 020 FHM

spring activated – hydraulically released



34-1

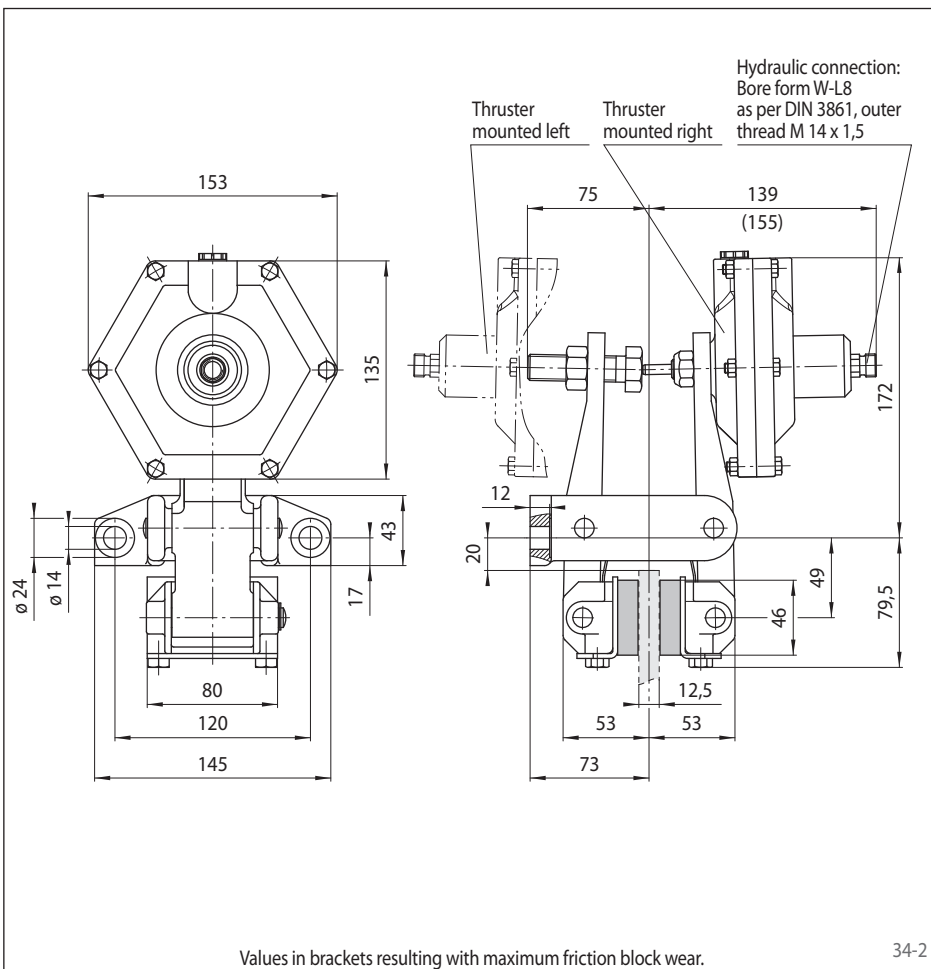
Features

| Features | Code |
|--|--------|
| Brake Caliper | D |
| Mounting to the machine parallel to the brake disc | V |
| Frame size 020 | 020 |
| Spring activated | F |
| Hydraulically released | H |
| Manual adjustment to accommodate friction block wear | M |
| Thruster 210 | 210 |
| Thruster mounted right or left available | R L |
| Thickness of brake disc 12,5 mm | 12 |

Example for ordering

Brake Caliper DV 020 FHM, thruster 210, thruster mounted right, thickness of brake disc 12,5 mm:

DV 020 FHM - 210 R - 12



Technical Data

| Brake Caliper DV 020 FHM with thruster 210 | |
|--|-----------------------------|
| Brake disc diameter | Braking torque |
| mm | Nm |
| 200 | 200 |
| 250 | 270 |
| 300 | 340 |
| 355 | 420 |
| 430 | 520 |
| 520 | 650 |
| Clamping force | 3500 N |
| Oil pressure | min. 65 bar max. 100 bar |
| Oil volume | max. 2,5 cm ³ |
| Weight | 5,4 kg |

The braking torques shown in the table are based on a theoretical friction coefficient of 0,4.

Morskate®



Any questions? Please contact us.

Morskate Aandrijvingen BV

Oosterveldsingel 47A
7558 PJ Hengelo (Ov)
The Netherlands

NL

T +31 (0)74 - 760 11 11
info@morskateaandrijvingen.nl
www.morskateaandrijvingen.nl

DE

T +49 692 - 222 34 95
info@morskateantriebstechnik.de
www.morskateantriebstechnik.de

EN

T +31 (0)74 - 760 11 11
info@morskatedrivetechnology.com
www.morskatedrivetechnology.com